

KUM700-1MWMe

270021-P

Marine and Land Based MF/HF Antenna. Tx/Rx. 1000W
7m. 2 sections. Coaxial installation. Mast and wall mount. Packed in a plastic bag

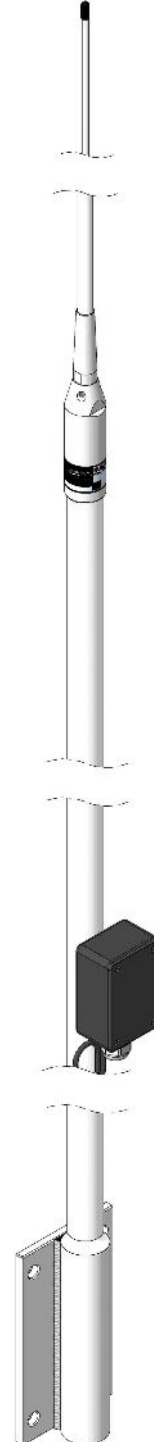
This antenna is a 2-section omnidirectional side-fed antenna for automatic tuned HF/SSB systems. The high quality makes this antenna perfect for both leisure and commercial vessels. The antenna is manufactured in premium quality materials in order to prevent galvanic corrosion. Radiating elements are made of copper. The antenna is manufactured using crimping technology giving the antenna a 4-5 times stronger build-up. Installation by means of the integrated Mast and Wall Mount. This antenna has the same rugged design as all other AC Antennas products thus it withstands harsh environmental conditions, both on sea and land.

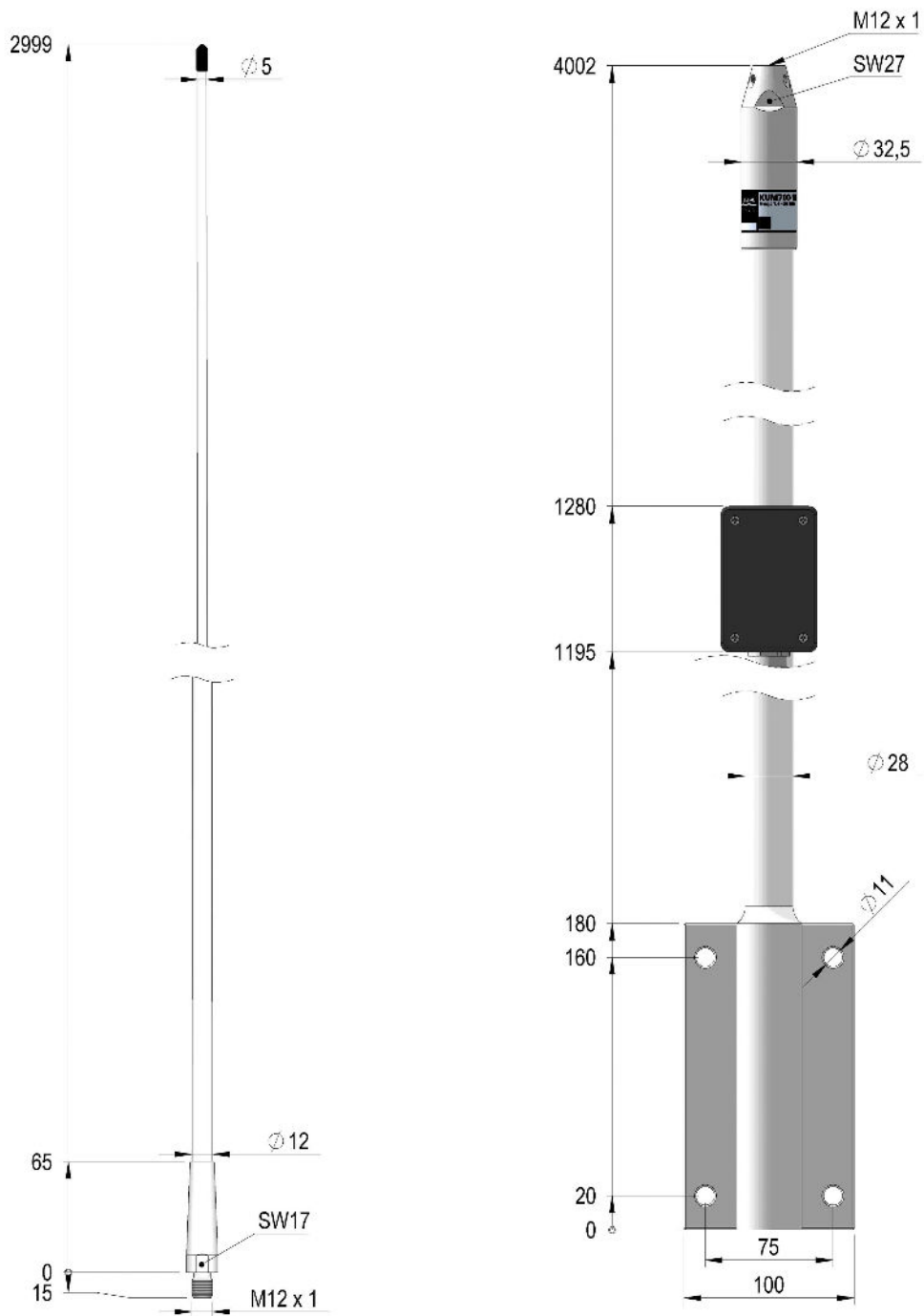
Short description

Product group	HF/SSB
Design	Wire antenna
Pattern	Omnidirectional

Mechanical specifications

Length [m/ft]	7.00 / 23.00
Sections	2
Weight [kg/lbs]	5.60 / 12.40
Survival Wind Speed [km/h / m/s / mph]	200 / 44 / 124
Wind Area [m2/ft2]	0.1371 / 1.4758
Wind Load @ 160km/h [N]	199
Material	Fibreglass
Colour	White
Operating Temperature Range [°C/°F]	-55 to +60 / -67 to +140
Ingress Protection	IP66
Thread	/ -
Mounting	Mast and Wall Mount integrated





AC Antennas A/S | Fabriksparken 40, DK-2600 Glostrup, Denmark
 Phone: +45 4581 0413 | acantennas@acantennas.com | www.acantennas.com

AC ANTENNAS
 WE CONNECT THE WORLD

Specifications subject to change without further notice. The information in this document does not form part of any quotation or contract

Aug 1, 2024 – Page 2