

# KUM481-1

248101-P

Marine and Land Based MF/HF Antenna. Tx/Rx. 500W  
4.8m. 2 sections. Coax installation. Ferrule. Packed in a plastic bag

This antenna is a 2-section omnidirectional side-fed antenna for automatic tuned HF/SSB systems. The high quality makes this antenna perfect for both leisure and commercial vessels. The antenna is manufactured in premium quality materials in order to prevent galvanic corrosion. Radiating elements are made of copper. The antenna is manufactured using crimping technology giving the antenna a 4-5 times stronger build-up. Installation by means of the integrated 1" 14TPI ferrule. This antenna has the same rugged design as all other AC Antennas products thus it withstands harsh environmental conditions, both on sea and land..

## Short description

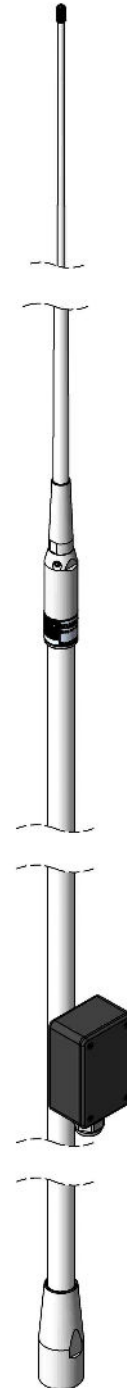
Product group	HF/SSB
Design	Wire antenna
Pattern	Omnidirectional

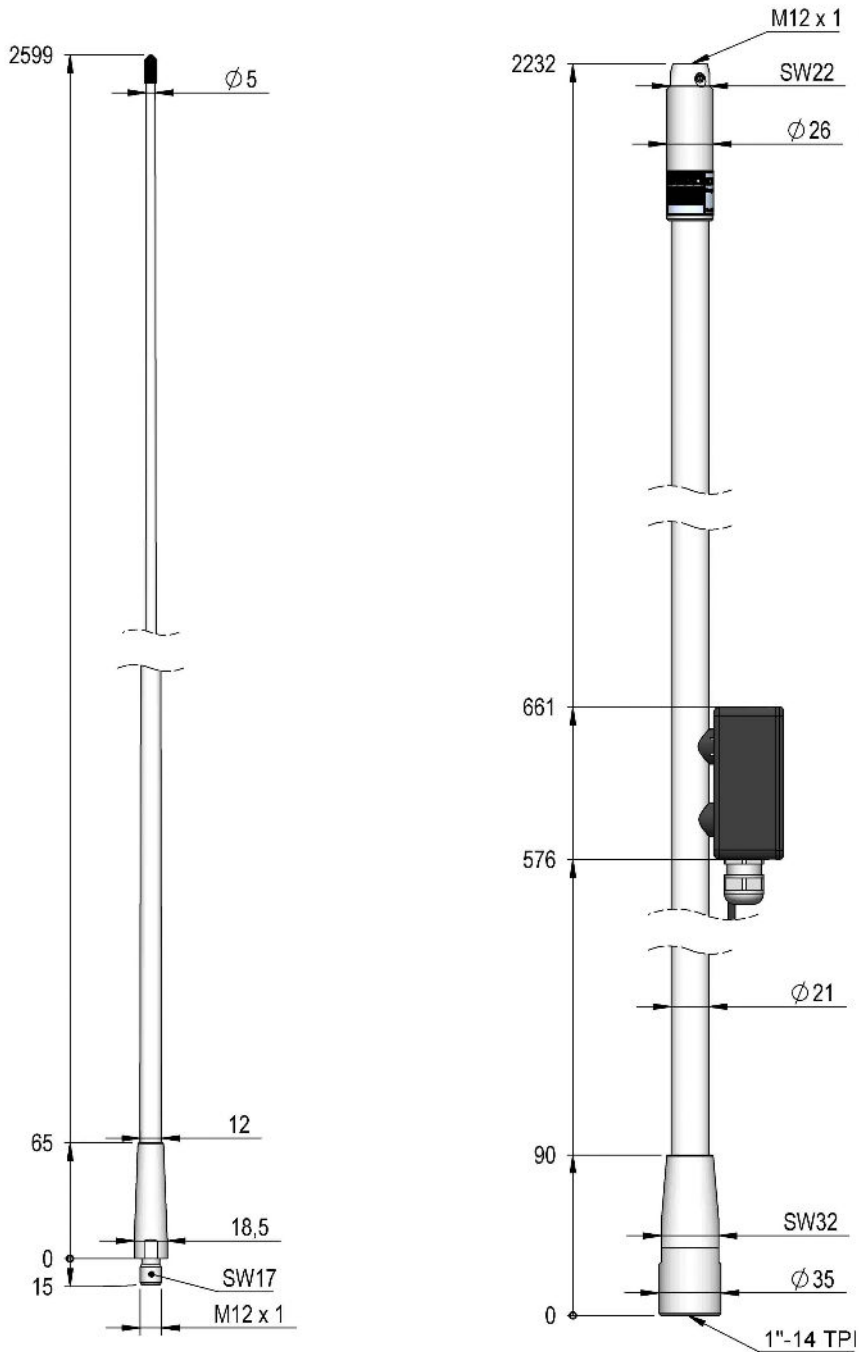
## Electrical specifications

Frequency range [MHz]	1.4-30
Bandwidth [MHz]	28.6
Max. Input Power [Watt]	500 PEP
Max. HF Voltage [Kv]	9
Insulation Resistance [Ohm]	>10 E9
Static Capacitance [pF]	55
Polarisation	Vertical
DC Shorted	No
DC Grounded	Yes
Connector	Side Feed Direct Coax Terminal

## Mechanical specifications

Length [m/ft]	4.80 / 15.75
Sections	2
Weight [kg/lbs]	2.30 / 5.10
Survival Wind Speed [km/h / m/s / mph]	200 / 44 / 124
Wind Area [m2/ft2]	- / -
Wind Load @ 160km/h [N]	99
Material	Fibreglass
Colour	White
Operating Temperature Range [°C/°F]	-55 to +60 / -67 to +140
Ingress Protection	IP66
Thread	1" 14TPI female ferrule / -
Mounting	1" 14TPI-female ferrule integrated





AC Antennas A/S | Fabriksparken 40, DK-2600 Glostrup, Denmark  
 Phone: +45 4581 0413 | [acantennas@acantennas.com](mailto:acantennas@acantennas.com) | [www.acantennas.com](http://www.acantennas.com)

**AC ANTENNAS**  
 WE CONNECT THE WORLD

Specifications subject to change without further notice. The information in this document does not form part of any quotation or contract

Aug 1, 2024 – Page 2