

CELmar0-1

100000-P

Marine and Land Based VHF Stainless Steel Whip. Tx/Rx. 100 W
0 dBd. UHF female. N163F. Packed in plastic

This is a stainless steel omnidirectional antenna for marine and land based solutions. It is an extremely flexible whip antenna. Suitable for rail and mast mounting. Mast mount N163F is included. The antenna is manufactured in premium quality materials in order to prevent galvanic corrosion. Radiating elements are made of copper. The antenna is manufactured using crimping technology giving the antenna a 4-5 times stronger build-up. The antenna has the same rugged design as all other AC Antennas products thus it withstand harsh environmental conditions, both on sea and land.

Short description

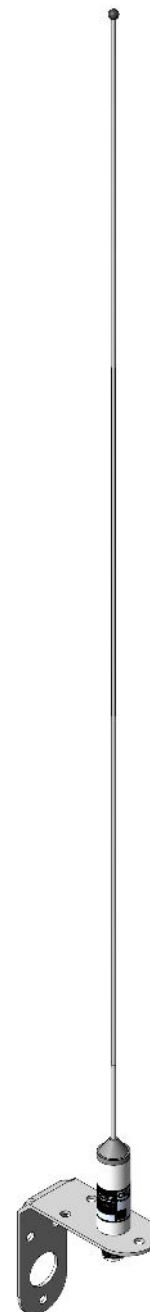
Product group	VHF
Design	Whip
Pattern	Omnidirectional

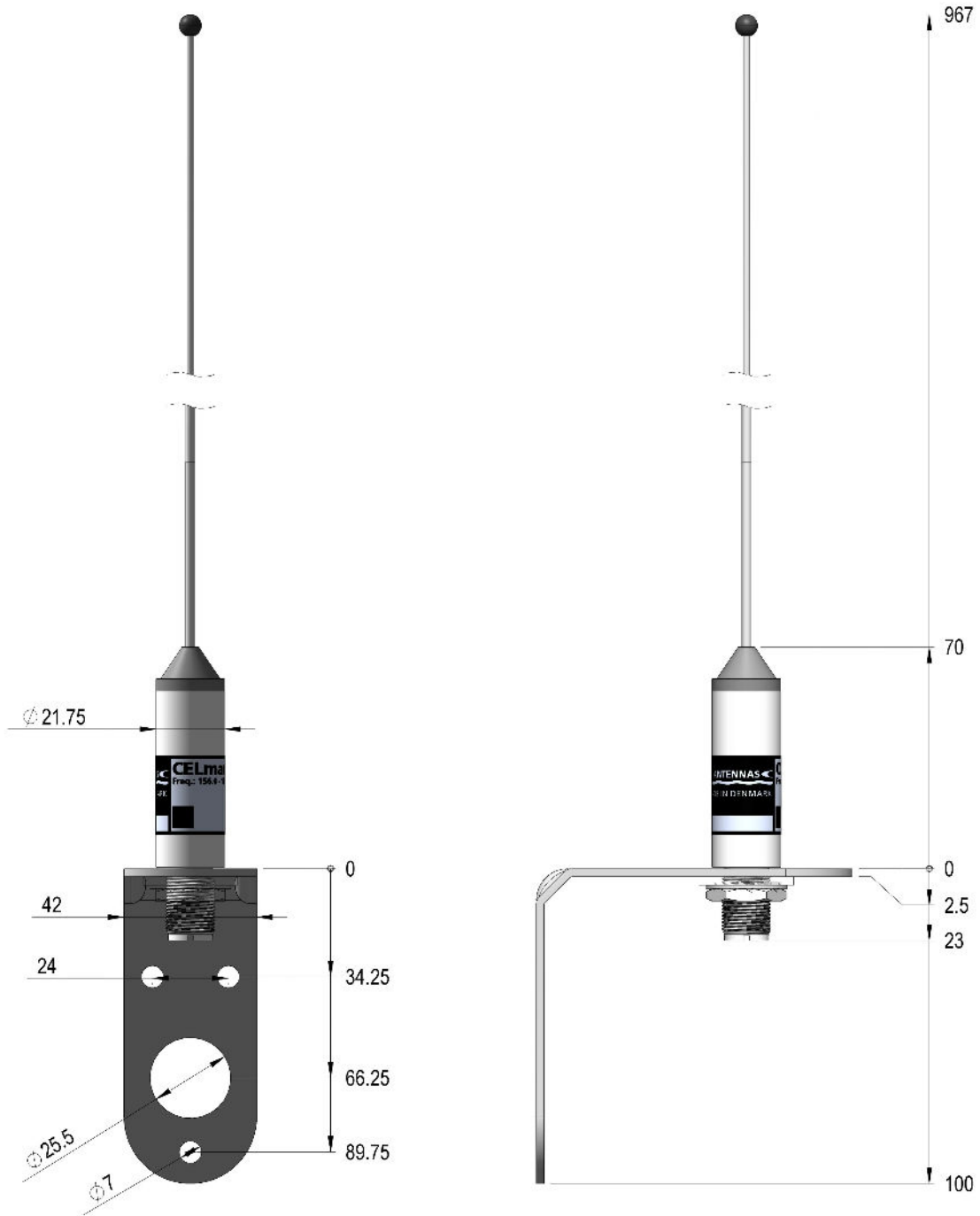
Electrical specifications

Frequency range [MHz]	A: 156.0-162.5 / B: 88-108 / C: 160-250
Bandwidth [MHz]	A: 6.5 B: 20 C: 90
Nominal Impedance [Ohm]	50
Max. Input Power [Watt]	A: 100 B+C: Receive only
Gain [dBd/dBi/Marine dB]	0 / 2.15 / B: 3
VSWR	A: <1.5:1 B+C: Rx only
Polarisation	Vertical
DC Shorted	No
DC Grounded	Yes
Connector	UHF-Female

Mechanical specifications

Length [m/ft]	1.00 / 3.30
Sections	1
Weight [kg/lbs]	0.35 / 0.78
Survival Wind Speed [km/h / m/s / mph]	200 / 55 / 124
Wind Area [m2/ft2]	0.0028 / 0.0302
Wind Load @ 160km/h [N]	4
Material	Stainless Steel
Colour	Steel grey
Operating Temperature Range [°C/°F]	-55 to +60 / -67 to +140
Ingress Protection	IP66
Thread	5/8"-24TPI male / -
Mounting	





AC Antennas A/S | Fabriksparken 40, DK-2600 Glostrup, Denmark
 Phone: +45 4581 0413 | acantennas@acantennas.com | www.acantennas.com

AC ANTENNAS
 WE CONNECT THE WORLD

Specifications subject to change without further notice. The information in this document does not form part of any quotation or contract

Aug 1, 2024 – Page 2