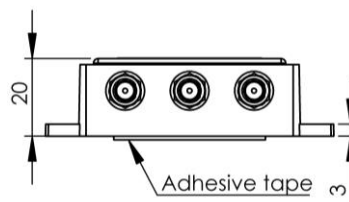
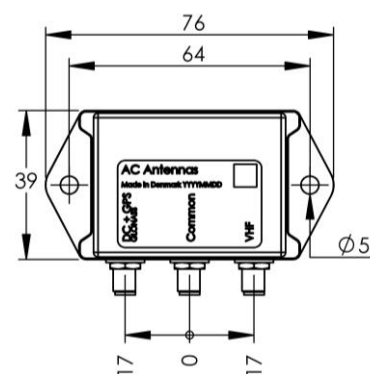


VHF/GPS-FILTER

Marine and Land Based VHF GPS/GLONASS Filter

VHF/GPS-FILTER is a filter for splitting VHF and GPS/GLONASS antenna signals. The filter is manufactured in premium quality materials in order to prevent galvanic corrosion.

VHF/GPS-FILTER is subject for improvement at all times. The filter has the same rugged design as all other AC Antennas products thus it withstands harsh environmental conditions, both on sea and land.



Electrical specifications

Frequency range (MHz)	156.0-162.5/1575.42/1602.0
Nominal impedance (Ohm)	50
VHF power rating (Watt)	35
VSWR	< 2:1
Connector	3 x SMA-female

Mechanical specifications

Dimensions [LxWxH] (mm/inches)	76.0x56.0x20.0/3.0x2.2x0.8
Weight (kg/lbs)	0.035/0.08
Material	ABS
Colour	Black
Temperature range (°C/°F)	-40 to +60 / -40 to +140
Ingress Protection	IP34

Mounting

Fixation via \varnothing 5mm holes on sides of filter box or adhesive tape on rear side of filter box.