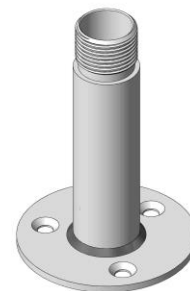


## N288F

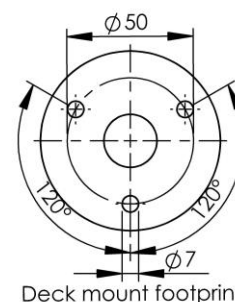
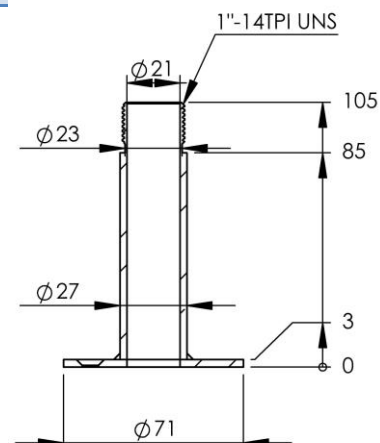
### Deck mount

The mount is intended for applications where the coaxial cable is protected inside the mount with direct feed through the deck or for installations where no side access through the mount is required, e.g. antennas with side fed cables – typically ferrule mounted antennas.



#### Mechanical Specification

Material	Stainless Steel
Finish	Polished
Weight (kg/lbs)	0.25/0.55
Mounting method	Deck mount
Thread	1"-14 TPI UNS, external



#### This part fits

This product fits all AC Antennas products with an internal 1"-14 TPI threads, which includes ferrule mounted items. Hence this mount fits antennas such as the CELmar2-1, CELmar4 and KUM481F antennas.